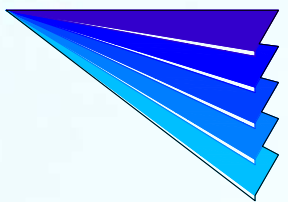


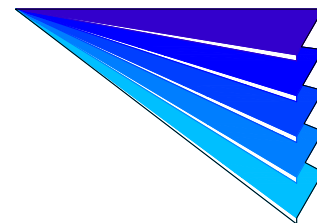
# ALUMINIUM LOUVRE COMPANY

*Screening Solutions*





# The Aluminium Louvre Company



The **Aluminium Louvre Company's** range of extruded aluminium louvre systems provides a wholly flexible range of assemblies designed to meet the demands of modern building service applications.

Our louvre systems are adaptable to the needs of consultants, main contractors and architects alike. Our coordinated louvre systems are designed to meet airflow and weathering needs, aesthetic and architectural requirements and are tailored to provide a practical on-site solution including when necessary supporting steelwork and associated metalwork.

## Applications

All louvre systems can be provided in factory built modular units (of any size or shape) for ease of site installation.

Alternatively, our louvre assemblies can be provided in kit form for site assembly to openings or steelwork of any given size. This option is particularly suited to continuous line screening applications and large format louvres.

Integrated louvres can also be designed to suit any cladding and curtain walling systems. Framing and flashing options are tailored to meet the individual needs of the particular system.



## Louvre Configurations

ALC 75 Series :-75mm blade on a 75mm pitch set at 50 degrees and 52% free area.

ALC 50 Series :-50mm blade on a 50mm pitch set at 45 degrees and 52% free area.

Each range is fully adaptable to provide various pitches and assembly configurations.

## Manufacture

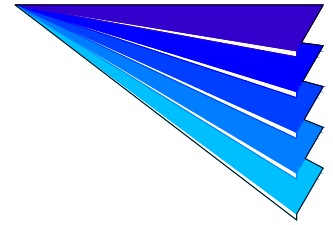
Louvres are manufactured from extruded aluminium to BS1474 alloy 6063 T6. Other alloys are available on request. They are supplied in a range of natural mill or painted finishes such as polyester powder (PPC) or other specialised finishes such as PVF2, PVDF or anodising.

## Installation

All installation is carried out by approved teams of experienced installation engineers appointed by the Aluminium Louvre Company following stringent sub-contractor assessments. All installers are fully CSCS compliant, are CHAS registered and where required installers with specific training requirements can be provided.

# The Aluminium Louvre Company

## Screening Solutions



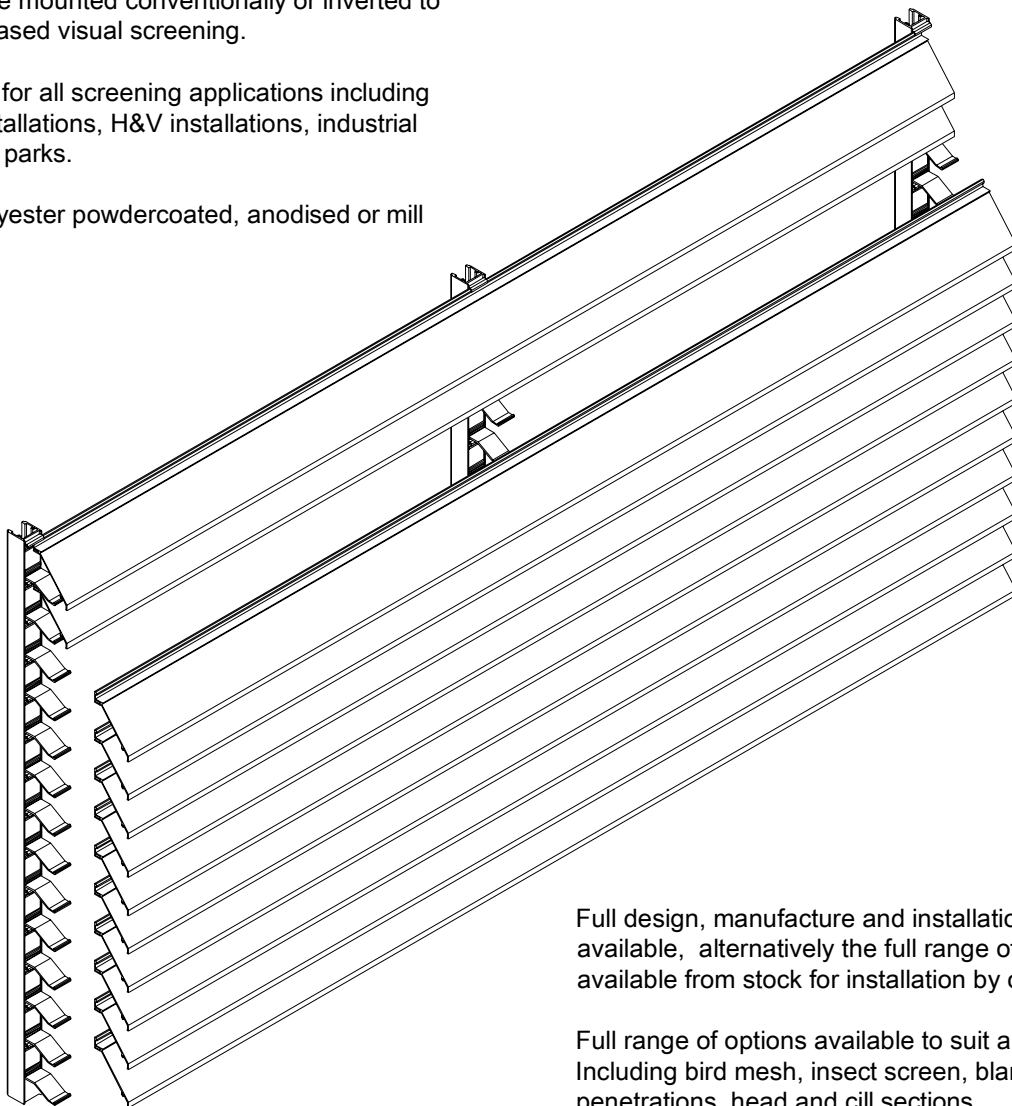
Simple cost effective louvre screen system, continuous line extruded aluminium blades with intermediate mullion supports. Can be fixed to existing steelwork and structural openings or we can provide secondary support steelwork as required.

System can be supplied to integrate with all types of building cladding and construction types.

Blades can be mounted conventionally or inverted to provide increased visual screening.

Can be used for all screening applications including roof plant installations, H&V installations, industrial plant and car parks.

Available polyester powdercoated, anodised or mill finish.

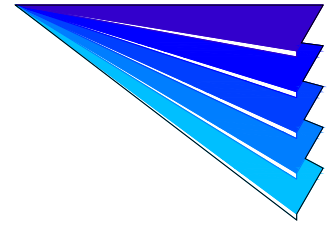


ALC75 - LOUVRE SCREEN SYSTEM

Full design, manufacture and installation service available, alternatively the full range of products is available from stock for installation by others.

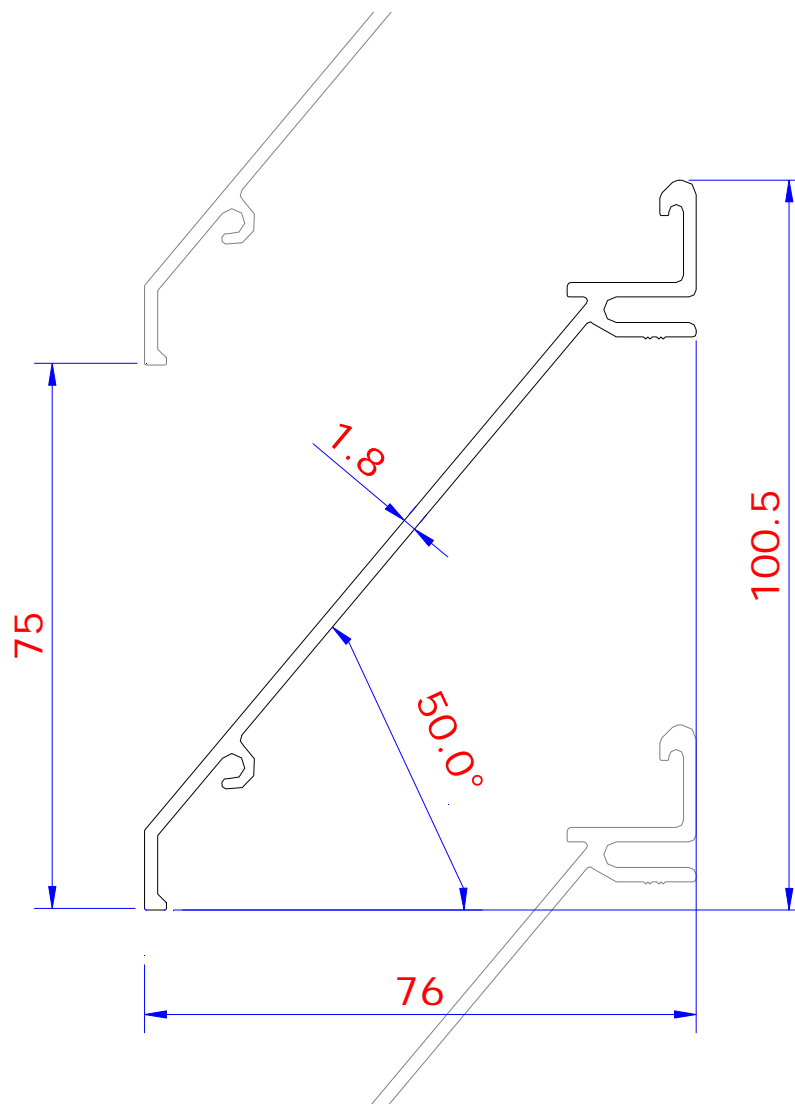
Full range of options available to suit all applications. Including bird mesh, insect screen, blanking panels, penetrations, head and cill sections.

Blades mounted at 75mm pitch and have approx 50% free area.



### PRODUCT DATA SHEET

#### ALC75 - 75mm Blade Profile - Full Size

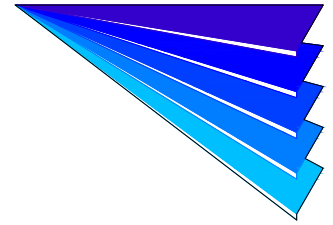


ALC75 - LOUVRE SCREEN SYSTEM

Extruded aluminium alloy Type 6063 to BS1474, extruded to anodising quality to ensure best quality for all surface finishes.

Available in polyester powdercoated anodised and mill finish.

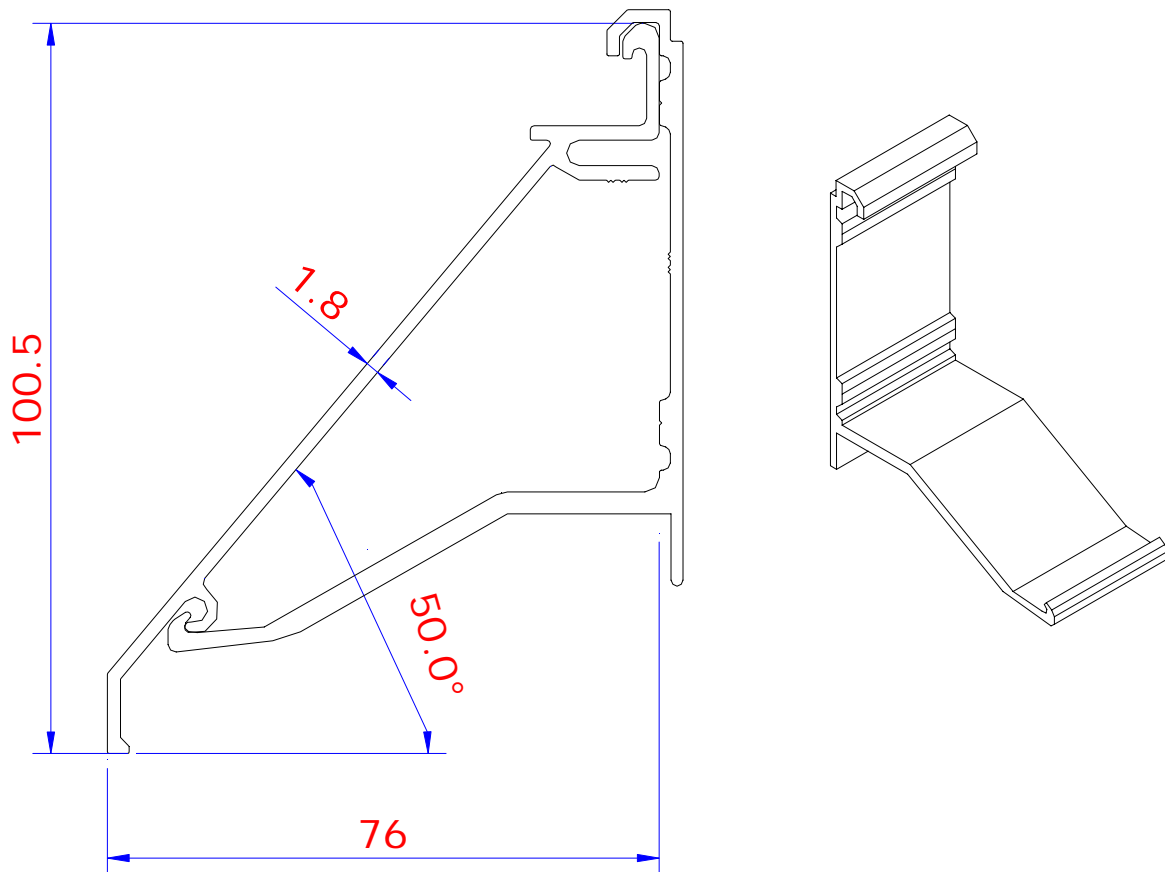
Blades stocked in 6000mm lengths and cut from stock to order requirements.



### PRODUCT DATA SHEET

ALC75 - 75mm Blade Profile

with AL75BR Clip -

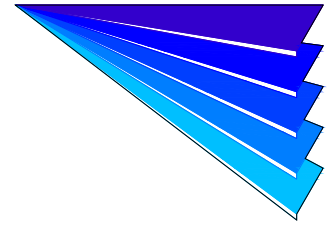


ALC75 - LOUVRE SCREEN SYSTEM

Extruded aluminium alloy Type 6063 to BS1474, extruded to anodising quality to ensure best quality for all surface finishes.

Available in polyester powdercoated anodised and mill finish.

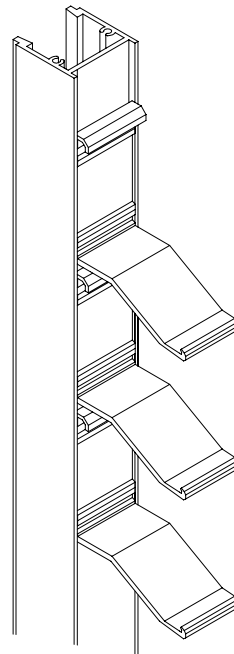
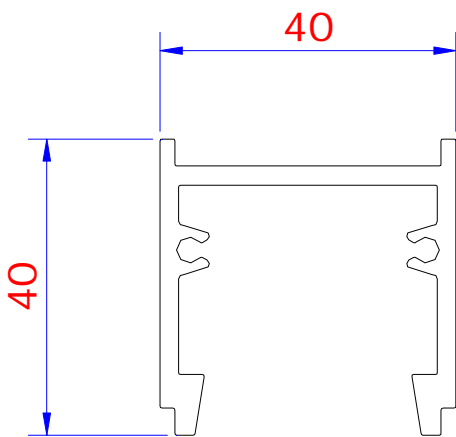
Blades stocked in 6000mm lengths and cut from stock to order requirements. Clips 36mm wide fitted into mullion section AL75SM



## PRODUCT DATA SHEET

### AL75SM - Standard Mullion -

ALC75 - LOUVRE SCREEN SYSTEM



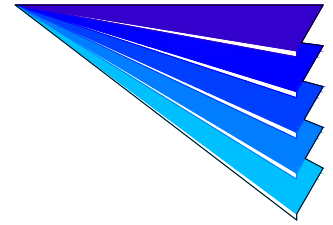
Extruded aluminium alloy Type 6063 to BS1474, extruded to anodising quality to ensure best quality for all surface finishes.

Available in polyester powdercoated anodised and mill finish.

Mullions stocked in 6000mm lengths and cut from stock to order requirements.

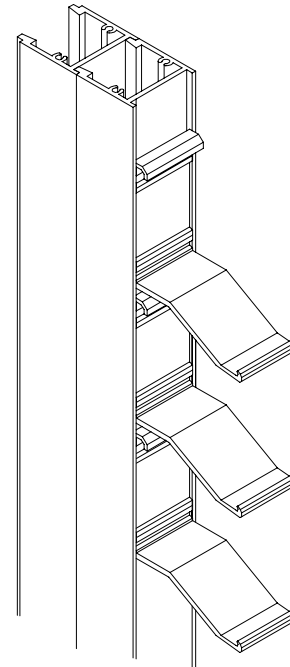
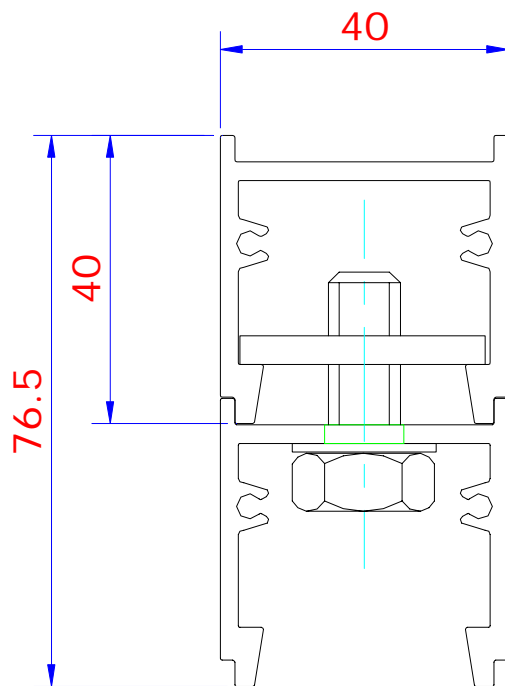
Mullions can be doubled for greater span.

Back of mullion designed to accommodate most channel framing components to enable fixing of trunking, cables, lighting etc.



## PRODUCT DATA SHEET

### AL75DM - Double Mullion -



ALC75 - LOUVRE SCREEN SYSTEM

Extruded aluminium alloy Type 6063 to BS1474, extruded to anodising quality to ensure best quality for all surface finishes.

Available in polyester powdercoated anodised and mill finish.

Mullions stocked in 6000mm lengths and cut from stock to order requirements.

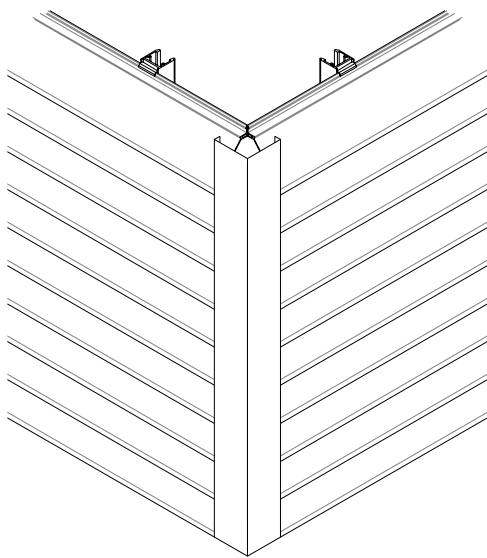
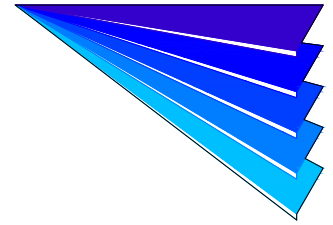
Mullions can be doubled for greater span.

Back of mullion designed to accommodate most channel framing components to enable fixing of trunking, cables, lighting etc.

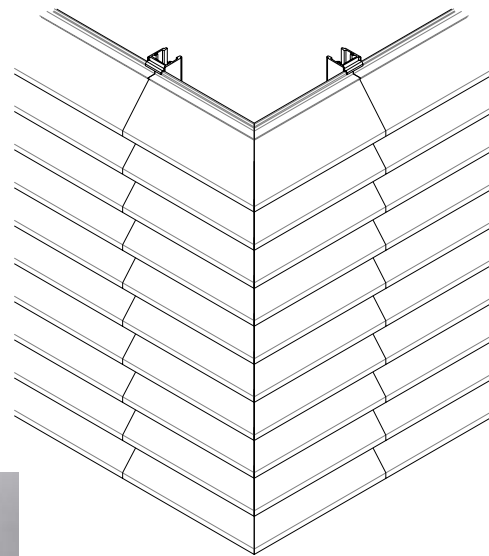


# The Aluminium Louvre Company

## Screening Solutions



Standard Corner  
2mm Pressed aluminium flashing



Mitred Corner  
400x400 standard module.

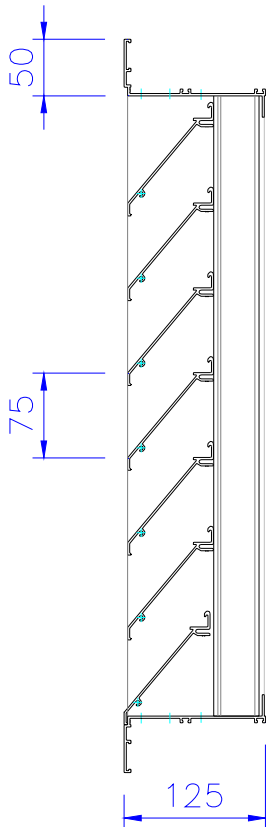
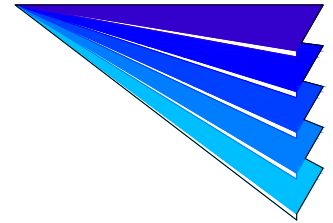


ALC75 - LOUVRE SCREEN SYSTEM

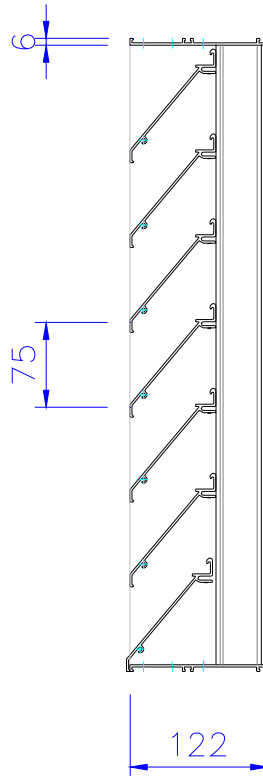


# The Aluminium Louvre Company

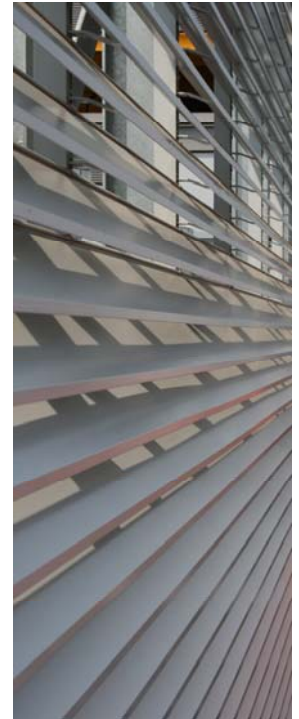
## Aluminium Louvres: ALC /75 SERIES



ALC75/EF



ALC75/RF



ALC75 –continuous line screen  
c/w louvre door

### Introduction

The Aluminium Louvre Company introduce its new product range utilising only the very latest computer-aided design equipment and machinery to ensure the highest quality of product and service.

With a workforce of skilled and experienced engineers, we provide a comprehensive serviced package for all screening applications.

### Materials

Aluminium extrusions Type 6063 to BS 1474 with a minimum thickness of 1.8mm with welded frame for in built strength. Frames are 2mm thick minimum.

### Visuals

The louvre blades are inclined at 50° and mounted at 75mm centres within a standard 125mm deep frame.

Galvanised bird screen supplied as standard. Frames can be flanged for surface mounting or recessed to give a frameless appearance. The bottom blade is extended over the outer frame to prevent ingress of water and provide drainage.

This design is also suited for a continuous appearance with concealed mullions, and for irregular shape applications.

Typical max. size: single unit: 2200mm wide x 2400mm high.

Multi-panel louvres can be assembled to any size. Structural steelwork supports can be included

### Fixing

Louvres are supplied with flanges undrilled as standard with fixing through the flange or neck. Alternative fixing arrangements and/or rear fixing lugs are available on request.

### Options Index

F	Std 50mm wide flange
RF	Recessed Frame
P	Powder coat finish
BS	Bird Mesh
IS	Insect screen
BP	Blanking panel
C	Head/Cill Sections
VG	Vermin Guard
CLL	Continuous appearance or mullion joints
SS	Structural steel supports

Louvres available in any size or configuration

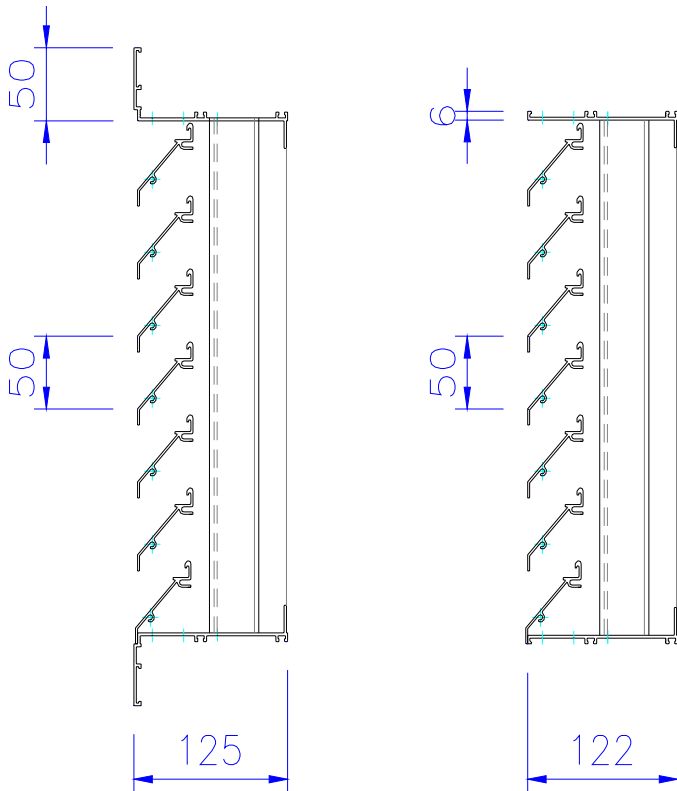
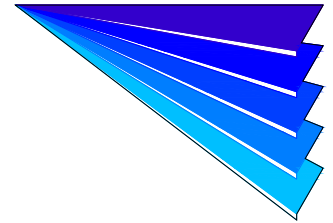
### Finishes

Mill Finish as standard  
Polyester Powder coatings to any standard stock BS4800 or RAL colour. Metallic finishes may be extra.  
Special finishes available on request.

**Contact our experienced engineers for more details on our product range and a tailor-made solution**

# The Aluminium Louvre Company

## Aluminium Louvres: ALC /50 SERIES



ALC50/F

ALC50/RF



### Introduction

The Aluminium Louvre Company introduce its new product range utilising only the very latest computer-aided design equipment and machinery to ensure the highest quality of product and service.

With a workforce of skilled and experienced engineers, we provide a comprehensive serviced package for all screening applications.

### Materials

Aluminium extrusions Type 6063 to BS 1474 with a minimum thickness of 1.8mm with welded frame for in built strength. Frames are 2mm thick minimum.

### Visuals

The louvre blades are inclined at 45° and mounted at 50mm centres within a standard 125mm deep frame.

Galvanised bird screen supplied as standard. Frames can be flanged for surface mounting or recessed to give a frameless appearance. The bottom blade is extended over the outer frame to prevent ingress of water and provide drainage.

This design is also suited for a continuous appearance with concealed mullions, and for irregular shape applications.

Typical max. size: single unit: 2200mm wide x 2400mm high.

Multi-panel louvres can be assembled to any size.

Structural steelwork supports can be included

### Fixing

Louvres are supplied with flanges undrilled as standard with fixing through the flange or neck. Alternative fixing arrangements and/or rear fixing lugs are available on request.

### Options Index

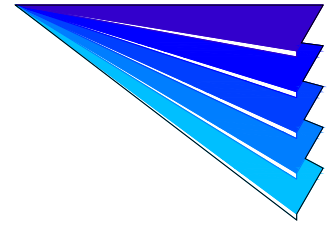
F	Std 50mm wide flange
RF	Recessed Frame
P	Powder coat finish
BS	Bird Mesh
IS	Insect screen
BP	Blanking panel
C	Head/Cill Sections
VG	Vermin Guard
CLL	Continuous appearance or mullion joints
SS	Structural steel supports

Louvres available in any size or configuration

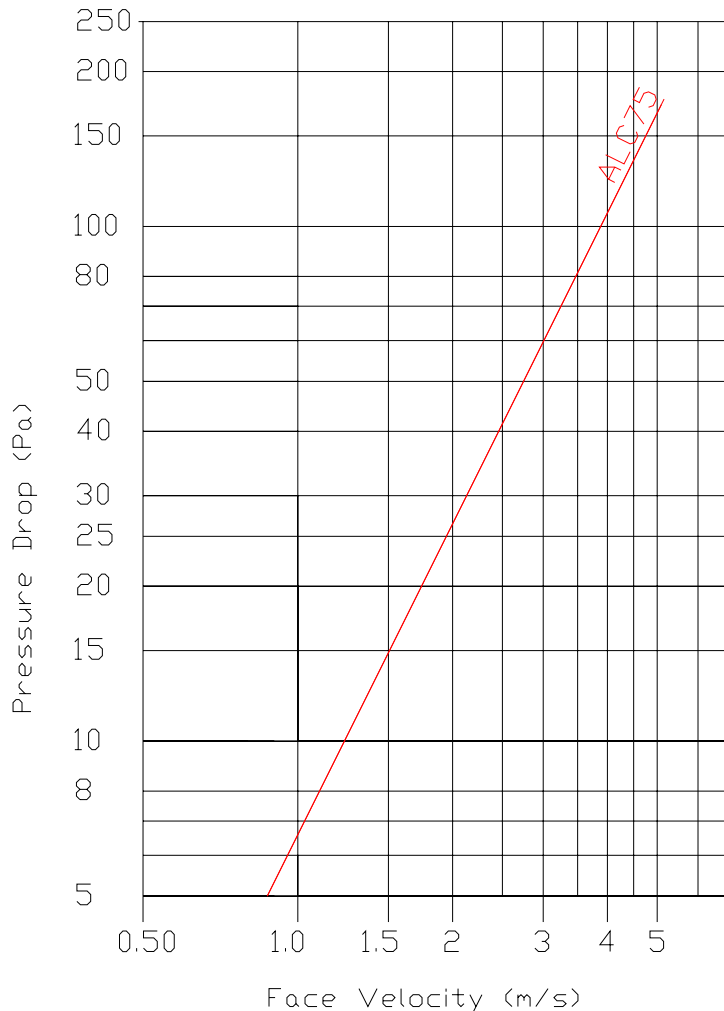
### Finishes

Mill Finish as standard  
Polyester Powder coatings to any standard stock BS4800 or RAL colour. Metallic finishes may be extra.  
Special finishes available on request.

**Contact our experienced engineers for more details on our product range and a tailor-made solution**



ALC range of Aluminium Weather Louvre  
Airflow/Pressure Drop



### NOTES:-

The chart above indicates the static pressure loss across the weather louvres for exhaust applications.

Intake applications will result in a higher resistance and a factor of 1.4 should be utilised.

Insect screen where fitted will also result in an increased resistance and a factor of 1.1 should be utilised.

Standard bird screen where fitted has negligible effect on the resistance for most applications but our team of design engineers are available to review particular schemes as necessary.

### AIR GENERATED NOISE

Air generated noise across a louvre will depend upon a variety of factors including but not limited to; louvre area, air velocity, airflow distribution and turbulence factors, site directivity, site conditions and distance to the listener.

As a general guideline for building service applications, weather louvres with an airflow face velocity of 2m/s or less are normally unlikely to give rise to noise problems or complaints.

For high velocity applications or situations with stringent acoustic criteria our team of design engineers are available to review particular applications or carry out more detailed analysis.



**AGENT/DISTRIBUTOR**

Medway Fabrication Services Ltd  
Unit 17e Dolphin Park  
Upper Field Road  
Eurolink Industrial Centre  
Sittingbourne  
ME10 3UP

Tel: 01795 429400  
Fax: 01795 429405

The Aluminium Louvre Company Ltd,  
Unit 17e Dolphin Park, Upper Field Road, Eurolink Industrial Park, Sittingbourne, Kent, ME10 3UP  
Tel: 01795 250295, Fax: 01795 250296 Email—[info@aluminium.com](mailto:info@aluminium.com)